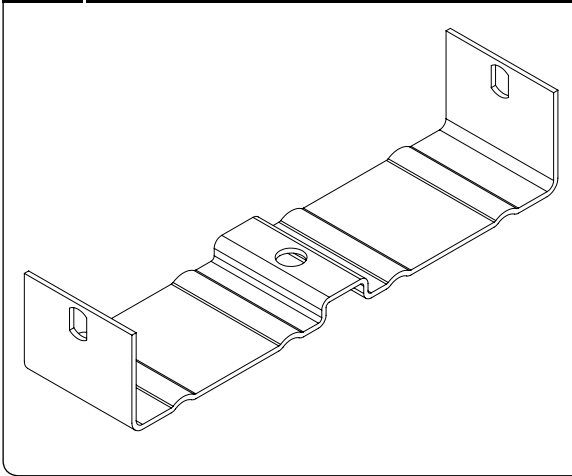




Certificado Nº SGI 3198065/11

Certificado Nº SGI 3198065/12

INSIDE SUSPENSION SIER



Compatible with models: ERE perforated 100x60, 150x60, 200x60, 300x60, 400x60.

Finishes: PG; HDG.

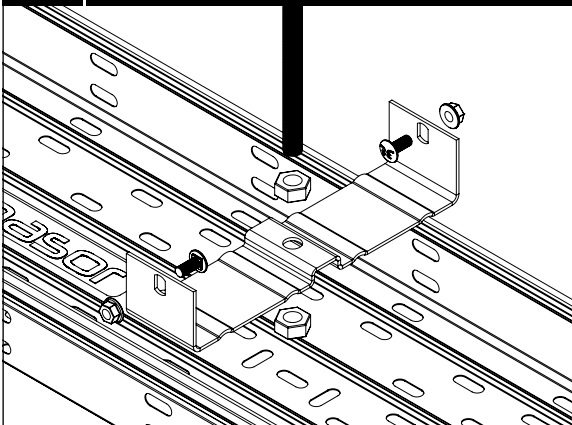
Characteristics:

- Metallic system
- Non-flame propagating component
- System with electrical continuity characteristic
- Electrically conductive component
- Minimum temperature of -50 °C
- Maximum temperature of 150 °C
- With metallic coating, resistant to corrosion:

PG: class 3

HDG: class 6

INSTRUCTIONS FOR USE

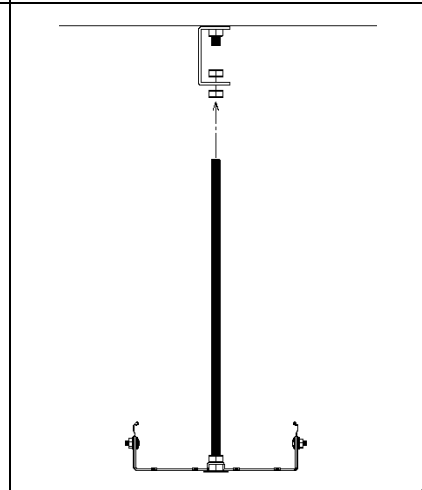
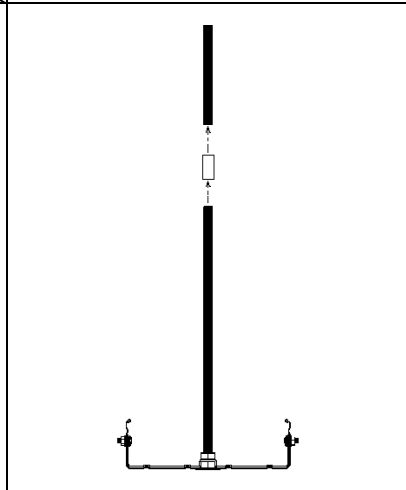
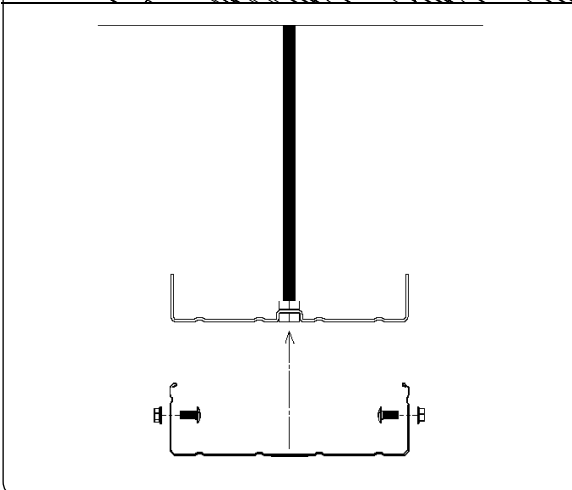


- The ceiling mounting of perforated ERE trays with inside suspension requires, by fixing point: 1 inside suspension SIER, 2 M10 DIN934 nuts, VR M10 threaded rod and 2 or 4 Bolt set B1 (2 for 100, 150 and 200 models, and 4 for 300 and 400 models).

- The piece allows the adjustment of the ceiling mounting in two ways, either with the traditional method, incorporating to the rod intermediate sleeves or adjustment pieces, or moving the lower nut to the desired height and cutting the piece of excess rod.

- The inside suspension SIER, thanks to the fact that it is independent of the fixing nut of the rod, will allow you to modify the mounting position and screwed, without having to rotate the whole piece.

- The installation of the BASORFIX SBC piece on the ceiling will facilitate the adjustment of the installation from the part of the ceiling.



SAFE WORKING LOAD

MODELS	CTA (kg)
100-200	40
300	30
400	15

NOTE: The maximum distance between ceiling fixing points is 1,5 m.